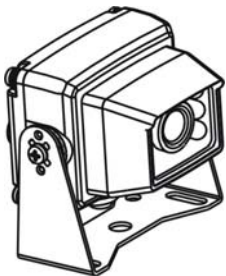




Kinequip Specialty Vehicle Division

Installation Instructions

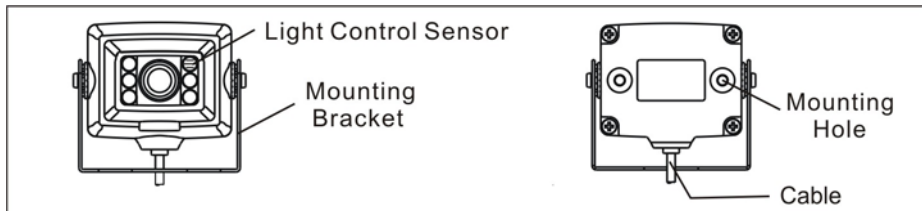
Model: CCD04 Camera



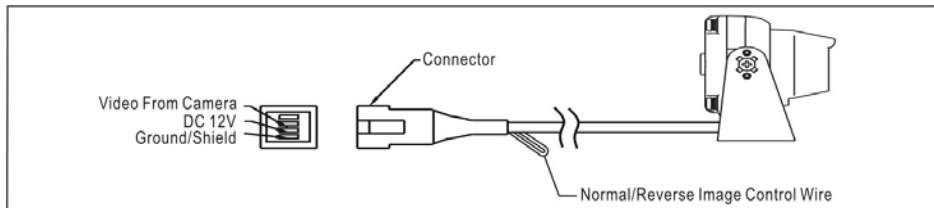
FEATURES:

- High Resolution, 1/3" CCD Color Camera
- Compact Zinc Alloy Die Cast Body
- Waterproof Housing
- Waterproof Microphone
- Adjustable Mounting Angle
- Wide Angle Lens
- Night Vision Function
- Mirror Image And Normal Image Is Optional

Camera View:



Cable Connector End View:



Specification:

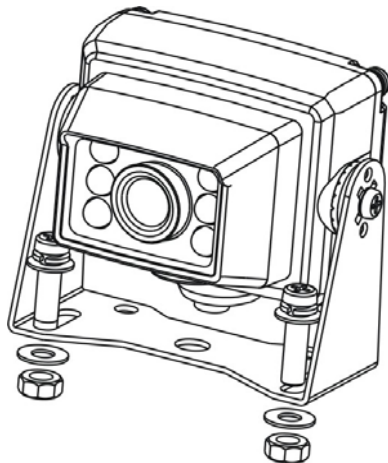
1. Voltage: DC12V
2. Current: 140mA
3. Signal System: NTSC
4. Image sensor: 1/3" CCD Color Camera
5. Horizontal Resolution: 420 Lines
6. Viewing Angle: 130 degrees
7. Minimum Illumination: 0.01 Lux
8. Camera Outer Dimensions: 2.52 " (W) X2.15" (H) X1.73" (D)
9. Weight: 7 OZ

Normal/Reverse Image Control Wire

The Control Wire is located at the camera cable connector. When Control Wire is not snipped, the camera image will be normal. When the Control Wire is snipped, the camera image will be reversed.

Camera Installation 1

(Viewing angle is adjustable)

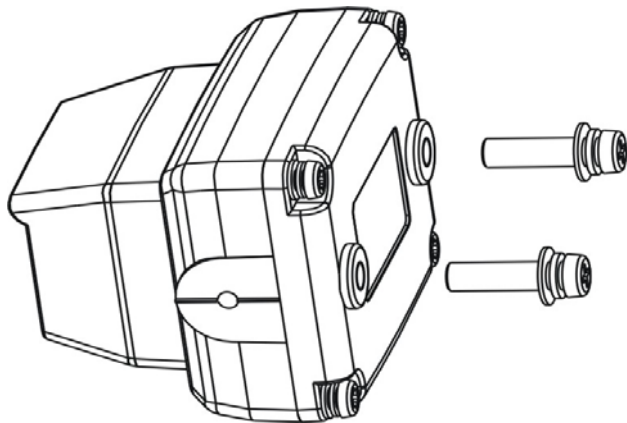


Installation 1:

1. Locate suitable mounting location at rear of vehicle.
2. Use the camera-mounting bracket as a template to mark the mounting hole locations.
3. Drill the appropriate size holes for mounting hardware you are using.
4. Attach the camera-mounting bracket to the vehicle with the lens shroud on topside. If lens shroud is on the bottom, then the camera must be removed from the bracket and turned 180 degrees and then reattached to the bracket.
5. Route the camera cable thru and existing grommet into the vehicle.
6. Connect the camera cable to the extension cable provided with the rear view mirror.
7. Route the extension cable up to the rearview mirror adaptor and plug the 4-pin connectors.

Camera Installation 2

(Viewing angle does not adjust)



Installation 2:

1. Locate suitable mounting location at rear of vehicle.
2. Use the camera backboard as template to mark the mounting - hole locations.
3. Drill the appropriate size holes for mounting hardware you are using
4. Use screws to attach the camera backboard to the vehicle with the lens shroud on topside.
5. Route the camera cable to the extension cable provided with the rear view mirror.
6. Connect the camera cable to the extension cable provided with the rear view mirror.
7. Route the extension cable up to the rearview mirror adaptor and plug the 4-pin connectors.



KINEQUIP INC. Specialty Vehicle Division
www.KINEQUIP.com 800-982-8894
