



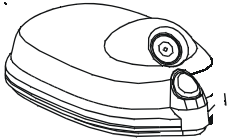
Kinequip Specialty Vehicle Division

Installation Manual

Side View Camera

Model: MV-2715 (L)

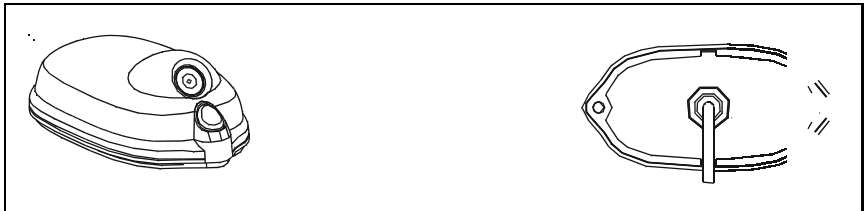
MV-2715(R)



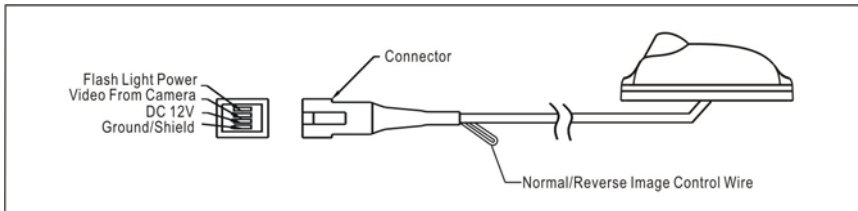
FEATURES:

- High Resolution, 1/4" CCD Color Camera
- Built In Caution Flash Light
- Waterproof Housing
- Waterproof Microphone
- Selectable Normal/Reverse Image

Color Camera View:



Cable Connector End View:



Normal/Reverse Image Control Wire

The Control Wire is located at the camera cable connector. When Control Wire is not snipped, the camera image will be normal. When the Control Wire is snipped, the camera image will be reversed.

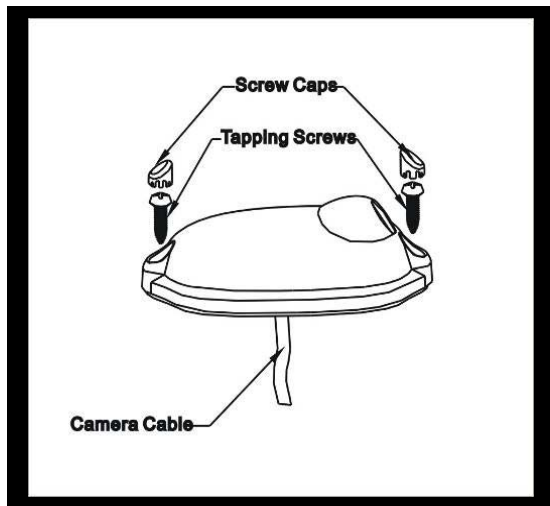
Specification:

1. Power source: DC12V
2. Current: 80mA/180mA
3. System: NTSC
4. Image sensor: 1/4" CCD Color Camera
5. Horizontal Resolution: 420 TV Lines
6. Low Lux Sensitivity: 0.8Lux
7. Lens angle: 90 degree
8. Yellow Flashlight
9. Temperature Range: -25 °C to 70 °C
10. Camera Outer Dimensions: 1 1/4" (W)* 7/8" (H)* 2 1/2" (D)

Package Contents:

- 1.MV-2715(L)×1,MV-2715(R)×1
- 2.Screw Cap-2×2
- 3.Tapping Screw-2×2

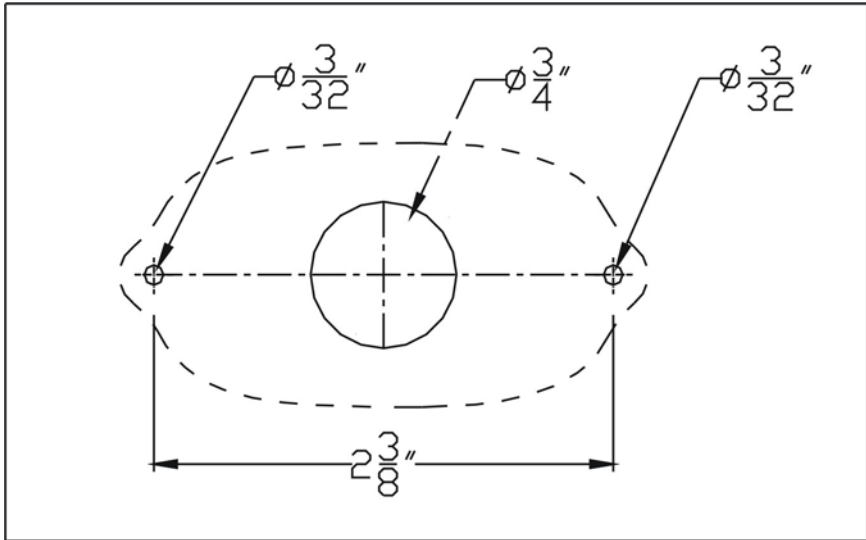
Installation:



Installation:

1. Locate suitable mounting location at side of vehicle.
2. Use the supplied template #1 to mark the mounting holes locations.
3. Drill two $\Phi 3/32$ " holes for mounting camera housing. Drill a $\Phi 3/4$ " hole in the middle of two holes for threading the cable. Be sure to check behind intended drilling location.
4. Install MV- 2715(L) for left side view camera and MV-2715(R) for right side view camera.
5. Install the supplied rubber cushion between the camera and vehicle to prevent water from in pouring. Use the screws provided to tighten the screws and pull gently on the camera cable to remove slack.
6. Put the plastic screw cap into the screw holes after tightening the screws.
7. Joint the cable of the camera into the extension cable supplied with the mirror.

Size of Mounting Holes (1:1)





KINEQUIP INC. Specialty Vehicle Division

www.KINEQUIP.com 800-982-8894
